
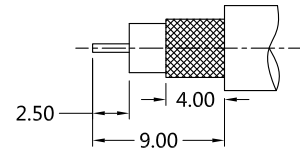
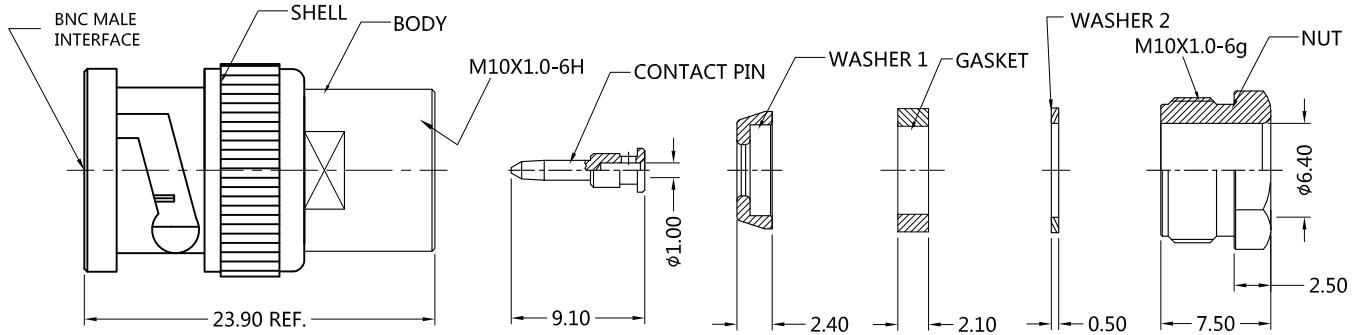


REV.	DESCRIPTION	ECN NO.	NAME	DATE	 ALL PARTS MUST MEET TO RoHS REQUIREMENTS
A0	Mass production	N/A	lihemin	2017-07-31	
A1	NEW FRAME	N/A	HYH	2020-07-04	

REMARKS:
1.CONTACT PIN TO SOLDER OR CRIMP.



RECOMMENDED CABLE STRIPPING DIM'S



MATERIALS AND PLATING			UNIT: MICRO-INCHES	ELECTRICAL CHARACTERISTICS	
PART NAME	MATERIALS	PLATING			
BODY/SHELL	BRASS	PL.SILVER 40U"/COPPER		IMPEDANCE	75 Ω
INSULATOR	PTFE ASTM-D-1710	N/A		VOLTAGE RATING	500 V(rms)
CONTACT PIN	BRASS	PL.SILVER 40U"/COPPER		FREQUENCY RANGE	0 ~ 2 GHz
GASKET	SILICONE	WHITE		DIELECTRIC WITHSTANDING VOLTAGE	>1500 V
WASHER 1	BRASS	PL.SILVER 40U"/COPPER		CONTACT RESISTANCE	CENTER CONTACT <1.5 mΩ
WASHER 2	BRASS	PL.SILVER 40U"/COPPER			OUTER CONTACT <0.2 mΩ
NUT	BRASS	PL.SILVER 40U"/COPPER		INSULATION RESISTANCE	>5000 MΩ
				INSERTION LOSS	<0.2 dB
				VSWR	<1.2
				3RD INTERMODULATION	N/A

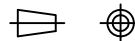
MECHANICAL CHARACTERISTICS	
CABLE RETENTION FORCE	>170 N
RECOMMENDED COUPLING TORQUE	4N
COUPLING NUT RETENTION FORCE	>100 lbs
DURABILITY	>500 cycles

ENVIRONMENTAL PARAMETER	
TEMPERATURE RANGE	-65 °C~+165 °C
VIBRATION	MIL- STD 202, Meth. 202,Cond. D
SHOCK	MIL-STD-202,Meth. 202
CORROSION	MIL-STD-202,Meth. 101,Cond B

*** CUSTOMER OUTLINE DRAWING**

UNLESS OTHERWISE SPECIFIED:
 1) EDGES : C0.15 MAX ;
 2) REMOVE ALL BURRS ;
 3) SURFACE ROUGHNESS : Ra1.6 ;
 4) UNITS : mm ;
 5) DIMENSIONS TOLERANCES
 DECIMALS : .x ±0.3 .xx ±0.2 .xxx±0.1;
 ANGLES : ± 5°.

THIRD ANGLE PROJECTION



APPROVED :

CUSTOMER P/N :

CHECKED :

SCALE :

1 : 1

DRAWING :

HYH

DATE : 2020-07-04

PAGE : 1/1



TITLE : BNC MALE S/T CRTNP FOR URM70 CABLE,75Ω

DRAWING NO. :

7BNM14S-A572

COMPANY WEBSITE : www.slkcorp.com

CUSTOMER OUTLINE DRAWING