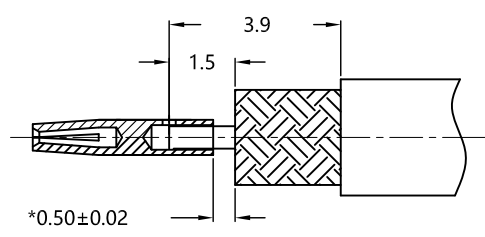


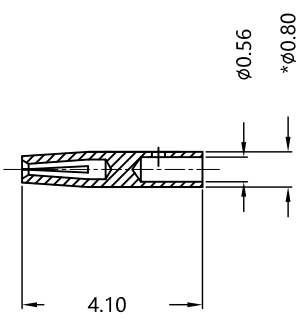
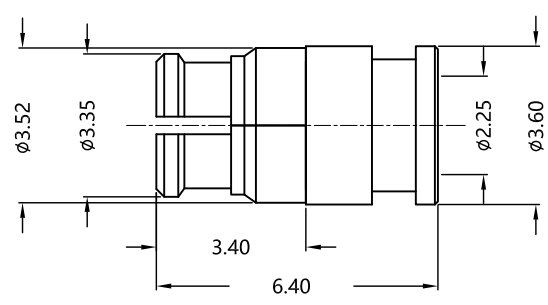
REV.	DESCRIPTION	ECN NO.	NAME	DATE
A1	NEW FRAME	N/A	JING	2020-08-25



ALL PARTS MUST MEET TO RoHS REQUIREMENTS



RECOMMENDED CABLE STRIPPING DIM'S



MATERIALS AND PLATING		UNIT: MICRO-INCHES
PART NAME	MATERIALS	PLATING
BODY	BERYLLIUM COPPER	GOLD 30u"/NICKEL ,/COPPER
INSULATOR	PTFE ASTM-D-1710	N/A
CONTACT PIN	BERYLLIUM COPPER	GOLD 50u"/NICKEL ,/COPPER

ELECTRICAL CHARACTERISTICS	
IMPEDANCE	50 Ω
VOLTAGE RATING	335 V(rms)
FREQUENCY RANGE	0 ~ 18 GHz
DIELECTRIC WITHSTANDING VOLTAGE	>500 V
CONTACT RESISTANCE	CENTER CONTACT <6.0 mΩ
	OUTER CONTACT <2.0 mΩ
INSULATION RESISTANCE	>1000 MΩ
INSERTION LOSS	According to the cable
RF-LEAKAGE	N/A
RETURN LOSS	<1.15 @0-6GHz <1.20 @6-12.4GHz <1.30 @12.4-18GHz

MECHANICAL CHARACTERISTICS	
FORCE TO ENGAGE	<44N (Limited detent)
FORCE TO DISENGAGE	15N-25N (Limited detent)
CENTER CONTACT RETENTION FORCE	>15 N
COUPLING NUT RETENTION FORCE	N/A
DURABILITY	>500 cycles

ENVIRONMENTAL PARAMETER	
TEMPERATURE RANGE	-55 °C ~ +125 °C

CUSTOMER OUTLINE DRAWING

* CUSTOMER OUTLINE DRAWING

UNLESS OTHERWISE SPECIFIED:
 1) EDGES : C0.15 MAX ;
 2) REMOVE ALL BURRS ;
 3) SURFACE ROUGHNESS : Ra1.6 ;
 4) UNITS : mm ;
 5) DIMENSIONS TOLERANCES
 DECIMALS : .x ±0.3 .xx ±0.2 .xxx±0.1;
 ANGLES : ± 5°.

THIRD ANGLE PROJECTION		
APPROVED :	CUSTOMER P/N :	-
CHECKED :	SCALE :	3 : 1
DRAWING :	DATE :	2020-08-24
JING	PAGE :	1/1

TITLE : SMP FEMALE S/T FOR 670-086 SXE CABLE, 50Ω
 DRAWING NO. : 5SPF15S-S01-008
 COMPANY WEBSITE : www.slkcorp.com